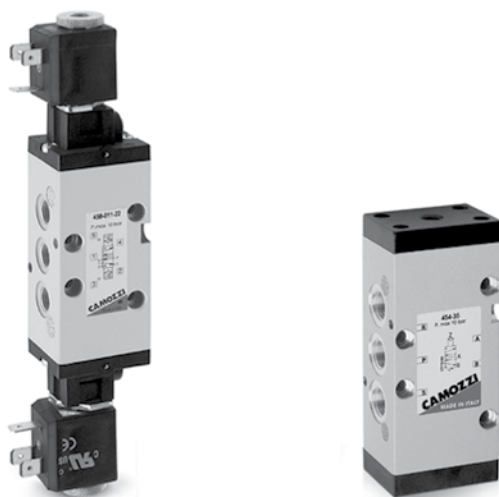


Valves and Solenoid valves Series 4

3/2, 5/2 and 5/3 way CC CO CP
Ports G1/8 - G1/4 - G1/2

2

CONTROL



The Series 4 valves have been designed with 3/2, 5/2, 5/3 in two main versions which are:

- Electropneumatically actuated and spring
- Electropneumatically actuated and return

Series 4 is equipped with a manual override which permits a stable operation.

All these valves can be operated by solenoids Series U, G A8 and H8. Moreover, valves with ports G1/2 only can be supplied with solenoids Series A6 (32x32).

GENERAL DATA

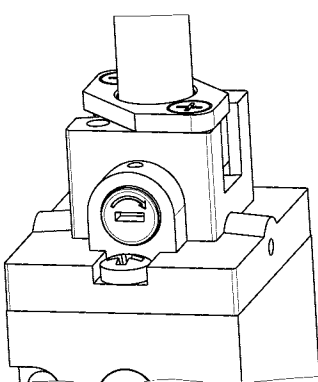
| | |
|------------------------------|---|
| Construction | spool - type |
| Valve functions | 3/2 - 2x3/2 - 5/2 - 5/3 way / pos. |
| Materials | AL body, stainless steel spool, NBR PU seals |
| Ports | G1/8 - G1/4 - G1/2 |
| Installation | in any position |
| Operating temperature | 0 + 60°C (using dry air at -20°C) |
| Operating pressure | see tables |
| Fluid | filtered air, without lubrication. If lubricated air is used, it is recommended to use ISOVG32 oil. Once applied the lubrication should never be interrupted. |

CODING EXAMPLE

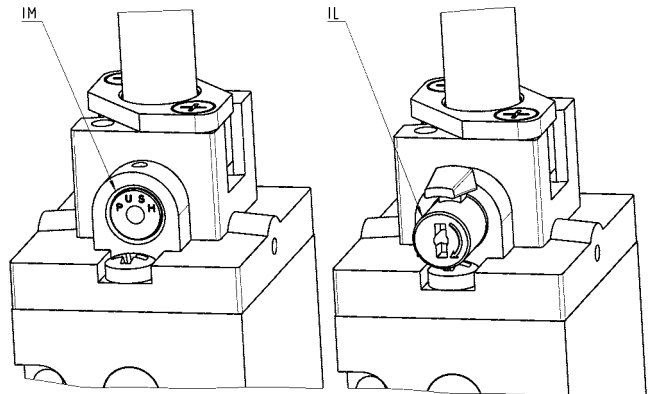
| | | | | | | | | | | |
|---|---|---|---|-----|---|----|---|---|---|---|
| 4 | 5 | 4 | - | 015 | - | 22 | - | U | 7 | 7 |
|---|---|---|---|-----|---|----|---|---|---|---|

| | |
|------------|--|
| 4 | SERIES |
| 5 | N° OF PORTS/POSITIONS: 3 = 3/2 NC 4 = 3/2 NO 5 = 5/2 6 = 5/3 CC 7 = 5/3 CO |
| 4 | PORTS: 8 = G1/8 4 = G1/4 2C = G1/2 |
| 015 | ACTUATION: 011 = double solenoid (horizontal solenoids) V11 = double solenoid (vertical solenoids) only Series 4 G1/4 015 = single solenoid, spring return (horizontal solenoids) V15 = single solenoid, spring return (vertical solenoid) only Series 4 G1/4 016 = single solenoid, pneumatic spring return (horizontal solenoid) V16 = single solenoid, pneumatic spring return (vertical solenoid) only Series 4 G1/4 33 = pneumatic pneumatic 34 = pneumatic differential 35 = pneumatic spring |
| 22 | SOLENOID INTERFACE:: 22 = mech. sol. 22 x 22 50 = mech. sol. 32 x 32 - only G1/2 |
| U | SOLENOID MATERIAL: U = PET G = PA A6 = PPS H8 = PA 6 V0 |
| 7 | SOLENOID DIMENSIONS: 6 = 32 x 32 solo G1/2 7 = 22 x 22 8 = 30 x 30 9 = 22 x 58 |
| 7 | SOLENOID VOLTAGE: see solenoids section on page 2.2.35.01 |
| | TYPE OF MANUAL OVERRIDE: = bistable, standard IL = bistable, lever type(available on demand) IM = monostable (available on demand) |

TYPES OF MANUAL OVERRIDE New



Example of solenoid valve with a bistable standard manual override.

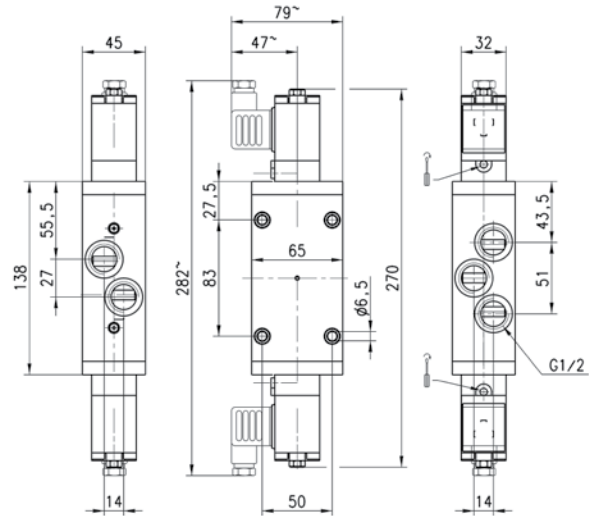
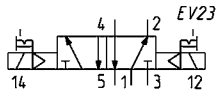


Example of solenoid monostable valve (IM) and bistable valve with a lever type manual override (IL). Both versions are available on demand. To order them it is necessary to add IM or IL at the end of the code. Code ex.: 454-015-22-U771L.

5/2-way solenoid valve, G1/2, bistable - Mod. 452C-011...



These solenoid valves, which have electropneumatic actuation and return, are suitable for operating double-acting cylinders.



| Mod. | Function | Flow rate (Nl/min) | Operating pressure (bar) |
|-----------------|----------|--------------------|--------------------------|
| 452C-011-50-A6* | 5/2 | 2500 | 2 + 10 |