



### DMA Type Manual Valve

40 to 100 ℓ /min  
35MPa

### Features

- ① The compact 01 and 03 sizes are perfect for small flow rate control.
- ② Since a balanced type valve is used, there is no need for drain piping, and use with back pressures up to 16MPa (163kgf/cm<sup>2</sup>) is possible.
- ③ Mounting methods are the same as SA-G01/03, and the 01, 03 size modular

valve can be used, so circuit configuration is quick and easy.

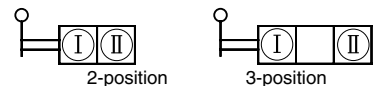
### Specifications

Model No.	Nominal Diameter (Size)	Maximum Working Pressure MPa(kgf/cm <sup>2</sup> )	Tank Port Back Pressure MPa(kgf/cm <sup>2</sup> )	Maximum Flow Rate ℓ /min	Spool Stroke (mm)		Weight kg
					2-position	3-position	
DMA-G01-***-20	1/8	35(25){357(255)}	16{163}	40	4	4 × 2	1.3
DMA-G03-***-(J)20	3/8			100	6	6 × 2	3.3

Positions	Type	JIS Symbol	Model No.	Maximum Working Pressure MPa(kgf/cm <sup>2</sup> )	
2-position	Closed Cross		DMA-G01-G03-A3X-20 (J)20	35{357}	
	Open Cross		DMA-G01-G03-A3Z-20 (J)20		
	Closed Cross		DMA-G01-G03-E3X-20 (J)20		
	Open Cross		DMA-G01-G03-E3Z-20 (J)20		
3-position	All Ports Open		DMA-G01-G03-C4-20 (J)20		
			DMA-G01-G03-F4-20 (J)20		
	All Parts Blocked		DMA-G01-G03-C5-20 (J)20		
			DMA-G01-G03-F5-20 (J)20		
	ABT Connection		DMA-G01-G03-C6-20 (J)20		
			DMA-G01-G03-F6-20 (J)20		
	PT Connection	Closed Cross		DMA-G01-G03-C7X-20 (J)20	25{255}
		Restricted Open Cross		DMA-G01-G03-C7Y-20 (J)20	
		Closed Cross		DMA-G01-G03-F7X-20 (J)20	
		Restricted Open Cross		DMA-G01-G03-F7Y-20 (J)20	
PAT Connection		DMA-G01-G03-C8-20 (J)20	35{357}		
		DMA-G01-G03-F8-20 (J)20			

#### ● Handling

- ① The following are the three types of lever operations.
  - ① Spring Offset Type (Type A)  
The lever is normally kept in the end position by the spring. Raising the lever performs switching, and the lever returns to its original position when released.
  - ② Spring Center Type (Type C)  
The spool is normally in the center of position 3. After switching to either end, the spring returns the lever to its center position when the lever is released.
  - ③ Detent Type (Type F, Type E)  
A notch at spool position 3 or position 2 acts as a stop.
- ② Pressure loss is the same as that for the SA-G01/G03, so see SA-G01/G03 for more information.
- ③ The lever mounting orientation can be positioned at 90° increments by changing the orientation of the lever side cover.
- ④ For PT connection type DMA-G01/G03-\*7-(J)20, closed cross DMA-G01/G03-\*7X-(J)20 is the standard type.
- ⑤ The relationship between the lever switching positions and JIS symbols is shown below. (See the installation dimension diagrams for symbols ① and ②.)



- ⑥ Mounting bolts are not included with the 01 size.

DMA-G01-***-20	M5 × 45 ℓ	4
DMA-G03-***-J20	M6 × 70 ℓ	4
DMA-G03-***-20	M8 × 70 ℓ	4

Note) For mounting bolts, use 12T or equivalent.

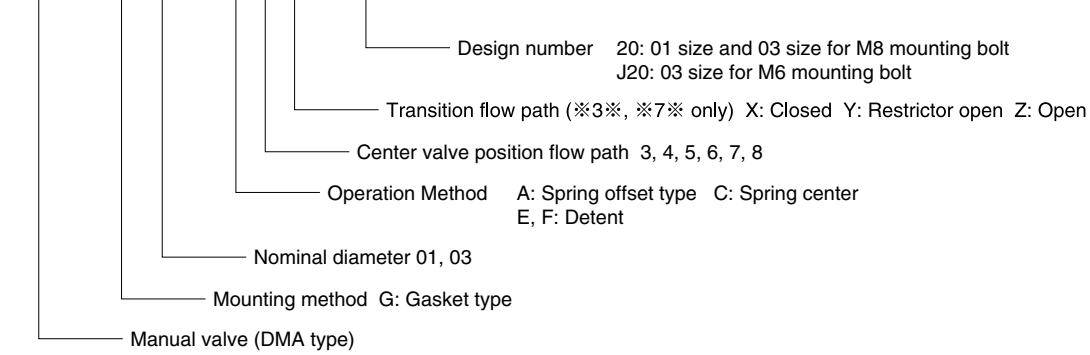
- ⑦ The following shows the sub plates.

Model No.	Pipe Diameter	Maximum Working Pressure MPa(kgf/cm <sup>2</sup> )	Recommended Flow Rate (ℓ /min)	Weight (kg)	Applicable Valve Type
MSA-01Y-10	1/4	25{255}	40	1.2	DMA-G01-***-20
MSA-03-10	3/8		45	2.3	DMA-G03-***-J20
MSA-03X-10	1/2		80		
MS-03-30	3/8		45		
MS-03X-30	1/2		80	2.3	DMA-G03-***-20

These sub plates can also be used with SA (SS)-G01/G03, so see SA (SS)-G01/G03 for mounting methods.

## Understanding Model Numbers

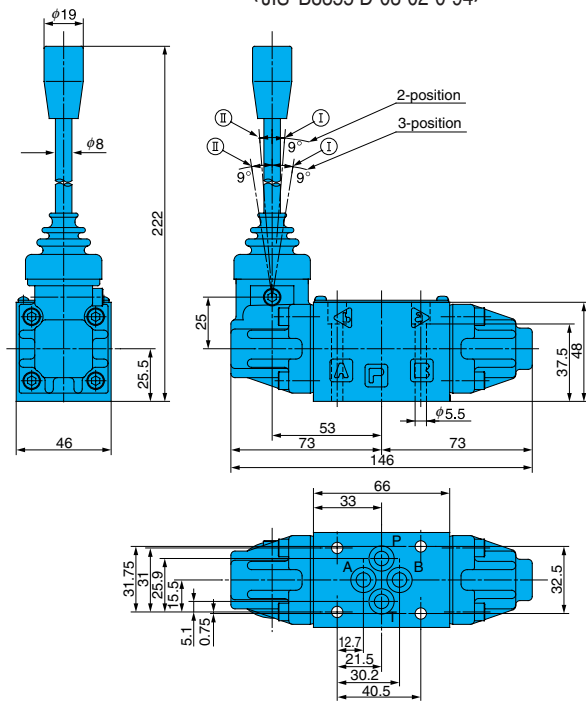
**DMA - G 01 - A 3 X - 20**



## Installation Dimension Drawings

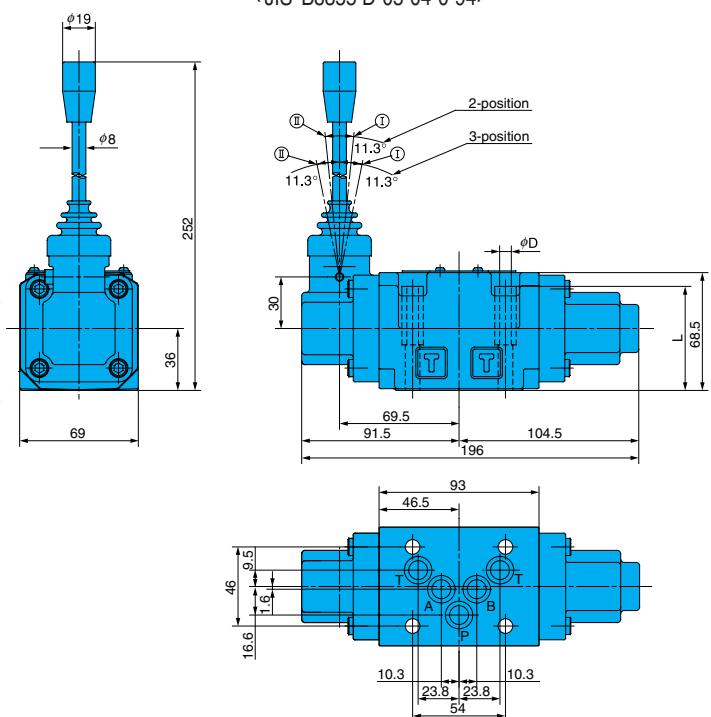
DMA-G01-\*\*\*-20

Gasket Surface Dimensions (ISO 4401-03-02-0-94  
JIS B8355 D-03-02-0-94)



DMA-G03-\*\*\*-(J)20

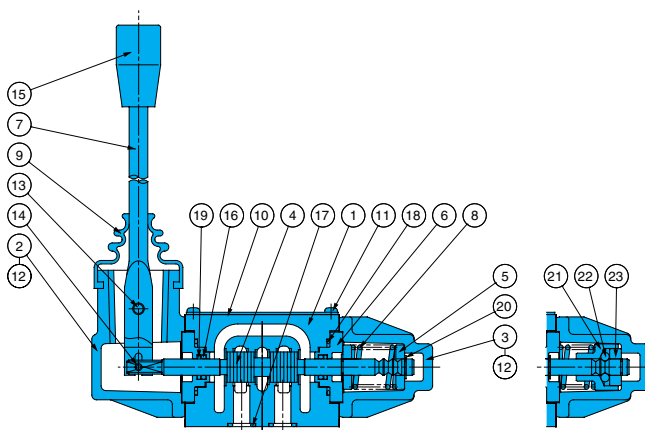
Gasket Surface Dimensions (ISO 4401-05-04-0-94  
JIS B8355 D-05-04-0-94)



	DMA-G03-**-J20	DMA-G03-**-20
$\phi D$	$\phi 6.8$	$\phi 8.5$
L	60.5	58

## Cross-sectional Drawing

DMA-G01-\*\*\*-20



Part No.	Part Name	Part No.	Part Name
1	Body	13	Screw
2	Cover A	14	Pin
3	Cover B	15	Knob
4	Spool	16	O-ring
5	Ring	17	O-ring
6	Bush	18	O-ring
7	Lever	19	Backup ring
8	Spring	20	Snap ring
9	Rod cover	21	Guide
10	Nameplate	22	Ball
11	Stopper screw	23	Retainer
12	Screw		

### Seal Part List

Part No.	Part Name	Model No.			
		DMA-G01	Q'ty	DMA-G03	Q'ty
16	O-ring	1A-P7	2	1A-P10	2
17	O-ring	AS568-012 (Hs90)	4	AS568-014 (Hs90)	5
18	O-ring	AS568-019 (Hs90)	2	1B-P28	2
19	Backup ring	T2-P7	2	T2-P10	2

Note) 1.O-ring 1A/B-\*\* refers to JIS B2401-1A/B.  
2.Backup ring indicates JIS B2407-T2-\*\*.



Direction Control Valves