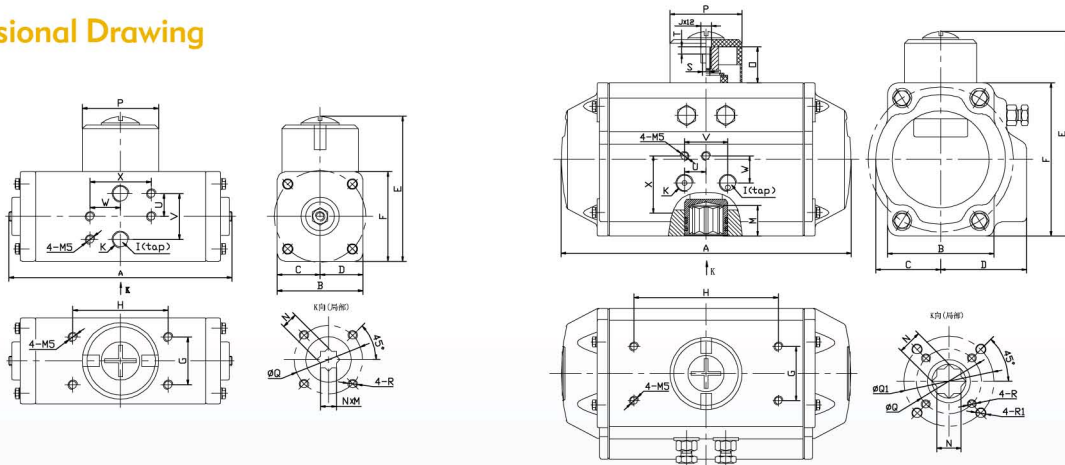


### Double Acting Actuator Output Torque(Nm)

Model	Air supply pressure(Unit : Bar)									
	2.5bar	3bar	3.5bar	4bar	4.5 bar	5 bar	5.5 bar	6 bar	7 bar	8 bar
AT-32D	3.8	4.5	5.3	6.0	6.8	7.5	8.3	9.0	10.5	12.0
AT-50D	8.3	10.0	11.6	13.3	15.0	16.6	18.3	20.0	23.3	26.6
AT-63D	14.6	17.6	20.5	23.4	25.4	29.3	32.2	35.2	41.0	47.0
AT-75D	29.0	35.0	40.7	46.5	52.3	58.1	64	69.7	81.4	93.0
AT-88D	45.7	55.0	64.0	73.2	82.3	91.4	101	110	128	146
AT-100D	66.4	79.7	93.0	106	120	133	146	159	186	213
AT-115D	107	129	150	172	193	215	236	258	301	344
AT-125D	138	166	194	221	249	277	304	332	387	443
AT-145D	217	261	304	348	391	434	478	521	608	695
AT-160D	283	340	397	453	510	577	623	680	793	907
AT-190D	466	559	653	746	839	932	1026	1119	1305	1492
AT-210D	683	820	957	1093	1230	1367	1503	1640	1913	2187
AT-240D	1020	1224	1428	1632	1836	2040	2244	2448	2856	3264
AT-270D	1452	1743	2033	2324	2614	2905	3195	3486	4067	4648
AT-300D	1860	2231	2603	2975	3347	3719	4091	4463	5207	5950
AT-350D	2983	3580	4176	4773	5369	5966	6563	7159	8352	9546

### Dimensional Drawing



AT-32

AT-50, AT-63, AT-75, AT-88, AT-100, AT-115, AT-125, AT-145, AT-160, AT-190, AT-210, AT-240, AT-270, AT-300, AT-350

### Dimension

Unit (mm)

Model	FLANGE L (ISO 5211)		R		A B C D E F G H I J K O P S T U V W X																		
	Q	Q	M/N (min)	M/N (min)	A	B	C	D	E	F	G	H	I	J	K	O	P	S	T	U	V	W	X
AT-32	F03	M5	M5		118	47	23.5	23.5	75	45	25	50	PF	M6	1/8"	20	40	4	4	12	24	16	32
	Φ36		10/9																				
AT-50	F03/F05	M5/M6	M5/M6		146	47	29	41.5	99	69	30	80	PF	M6	1/8"	20	40	4	4	12	24	16	32
	Φ36/Φ50		13/11																				
AT-63	F03/F05	M5/M6	M5/M6		163	59	36	47.5	115	85	30	80	PF	M6	1/8"	20	40	4	4	12	24	16	32
	Φ36/Φ50		16/14																				
AT-75	F05/F07	M6/M8	M6/M8		214	68	43	51	132	102	30	80	PF	M6	1/8"	20	40	4	4	12	24	16	32
	Φ50/Φ70		19/17																				
AT-88	F05/F07	M6/M8	M6/M8		252	68	49.5	55.5	145	115	30	80	PF	M6	1/8"	20	40	4	4	12	24	16	32
	Φ50/Φ70		20/17																				
AT-100	F07/F10	M8/M10	M8/M10		270	95	56	64	157	127	30	80	PF	M6	1/4"	20	40	4	4	12	24	16	32
	Φ70/Φ102		24/22																				
AT-115	F07/F10	M8/M10	M8/M10		316	97	64.5	74.5	185	145	30	80	PF	M6	1/4"	30	62	4	4	12	24	16	32
	Φ70/Φ102		24/22																				
AT-125	F07/F10	M8/M10	M8/M10		354	97	69	78.5	197	157	30	80	PF	M6	1/4"	30	62	4	4	12	24	16	32
	Φ70/Φ102		29/27																				
AT-145	F10/F12	M10/M12	M10/M12		418	115	80	87	218	178	30	80/130	PF	M6	1/4"	30	62	4	4	12	24	16	32
	Φ102/Φ125		30/27																				
AT-160	F10/F12	M10/M12	M10/M12		450	118	89	104	240	200	30	80/130	PF	M6	1/4"	30	80	4	4	12	24	16	32
	Φ102/Φ125		30/27																				
AT-190	F10/F12	M10/M12	M10/M12		518	139	103	105	272	232	30	80/130	PF	M6	1/4"	30	80	4	4	12	24	16	32
	Φ102/Φ125		40/36																				
AT-210	F14	M16	M16		530	130	113	113	297	257	30	130	PF	M6	1/4"	30	90	4	4	12	24	16	32
	Φ140		40/36																				
AT-240	F16	M20	M20		660	129	129	129	331	291	30	130	PF	M6	3/8"	30	90	4	4	20	40	22.5	45
	Φ165		50/46																				
AT-270	F16	M20	M20		730	160	147	147	372	332	30	130	PF	M6	1/2"	30	90	4	4	20	40	22.5	45
	Φ165		50/46																				
AT-300	F16	M20	M20		880	180	161	172	394	354	30	130	PF	M6	1/2"	30	90	4	4	20	40	22.5	45
	Φ165		50/46																				
AT-350	F16/F25	M20/M16	M20/M16		910	270	190	190	440	410	30	130	PF	M6	1/2"	30	90	4	4	20	40	22.5	45
	Φ165/Φ254		50/46																				