

Series PC

Filter, Regulator, Lubricator Combinations



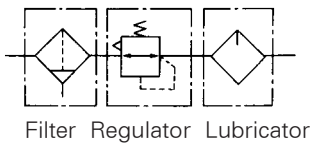
- MODULAR DESIGN
- EASY ASSEMBLY/DISASSEMBLY
- EASY MAINTENANCE
- FINE OIL ADJUSTMENT
- (ONE-TOUCH) BOWL GUARD ON PC4000, PC5000
- REFILL UNDER PRESSURE

Standard Specifications

Model		PC2000	PC3000	PC4000	PC5000
Combination	Filter	PF2000	PF3000	PF4000	PF5000
	Regulator	PR2000	PR3000	PR4000	PR5000
	Lubricator	PL2000	PL3000	PL4000	PL5000
Port size (PT/NPT)		1/8", 1/4"	1/4", 3/8"	3/8", 1/2"	3/4", 1"
Port size for pressure gauge		1/8" (Rc(PT)/NPT)			
Max. Supply Pressure		1.5MPa(213 PSI)			
Max. Operating Pressure		990Kpa(150 PSI)			
Regulating Range		50~850KPa(7~125 PSI)			
Max. Flow rate NI/min(SCFM)		500(18SCFM)	2000(70SCFM)	4000(140SCFM)	6000(175SCFM)
Ambient and Media temperature		5~60° C(23~140° F)			
Filtration		Standard : 10µm/Option : 5µm			
Recommended oil		Turbine Oil ISO VG32			
Bowl Material		Polycarbonate			
Construction/Regulator		Relieving type			
Weight lbs(kgf)		1.39(0.63)	2.60(1.18)	4.72(2.14)	6.74(3.06)

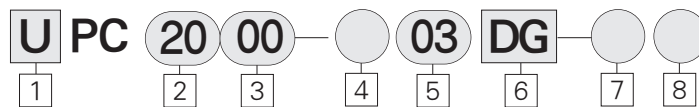
* Conditions : Supply PRESSURE-7kgf/cm²(100psi) Setting pressure-5kgf/cm²(70psi)

Symbol



Filter Regulator Lubricator

How to Order



1 Series

Blank : PT
U : NPT

2 Body Size

20 : 1/4"
30 : 3/8"
40 : 1/2"
50 : 1"

3 Components

00 : Air Filter(PF)+Regulator(PR)+Lubricator(PL)
10 : Filter Regulator(PW)+Lubricator(PL)
20 : Air Filter(PF)+Regulator(PR)
30 : Air Filter(PF)+Coalescing Filter(PFH)+Regulator(PR)
40 : Filter Regulator(PW)+Coalescing Filter(PFH)
50 : Air Filter(PF)+Ultra Filter(PFU)+Regulator(PR)
60 : Filter Regulator(PW)+Ultra Filter(PFU)

Note: Order of assembly

4 Thread

Blank : Rc(PT)
G : Rc(PF)

5 Port Size

01 : 1/8"
02 : 1/4"
03 : 3/8"
04 : 1/2"
06 : 3/4"
10 : 1"

6 Accessory

D : Auto drain : Float type(N.O)
* UPC2000 : Differential Pressure type
G : Pressure gauge
S : Shut-Off Valve

7 Bowl Guard

C : With Bowl Guard
(2000, 3000 only)
* 4000, 5000 : Standard

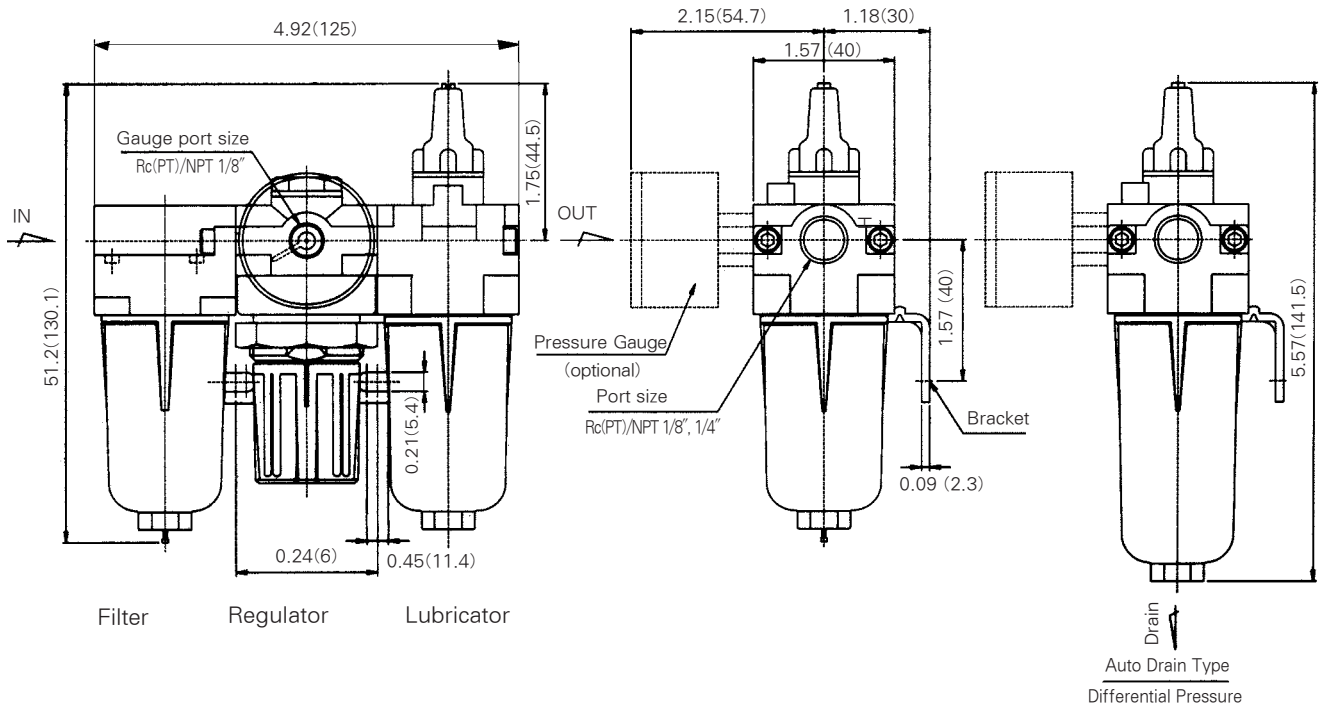
8 Special Option

Blank : None(Standard Type)
XC16 : Copper-free

Dimensions

inch(mm)

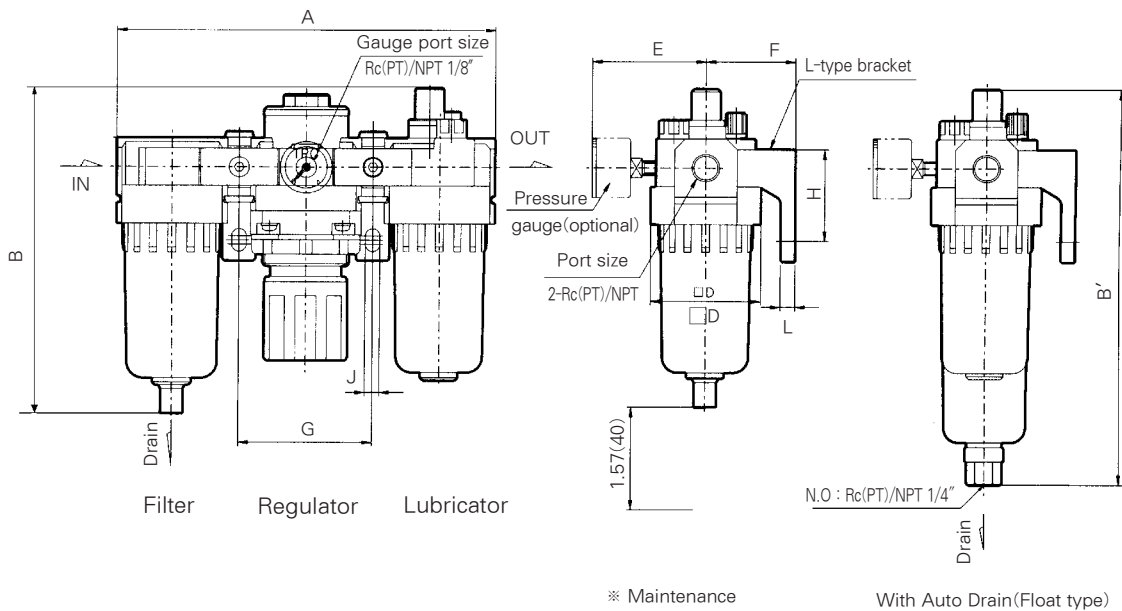
PC2000



- PC
- PF
- PFH
PFU
- PR
- PL
- PW
- SH
- TDF
- TAD
- PER
- EP

Dimensions

PC3000



※ Maintenance With Auto Drain(Float type)

inch(mm)

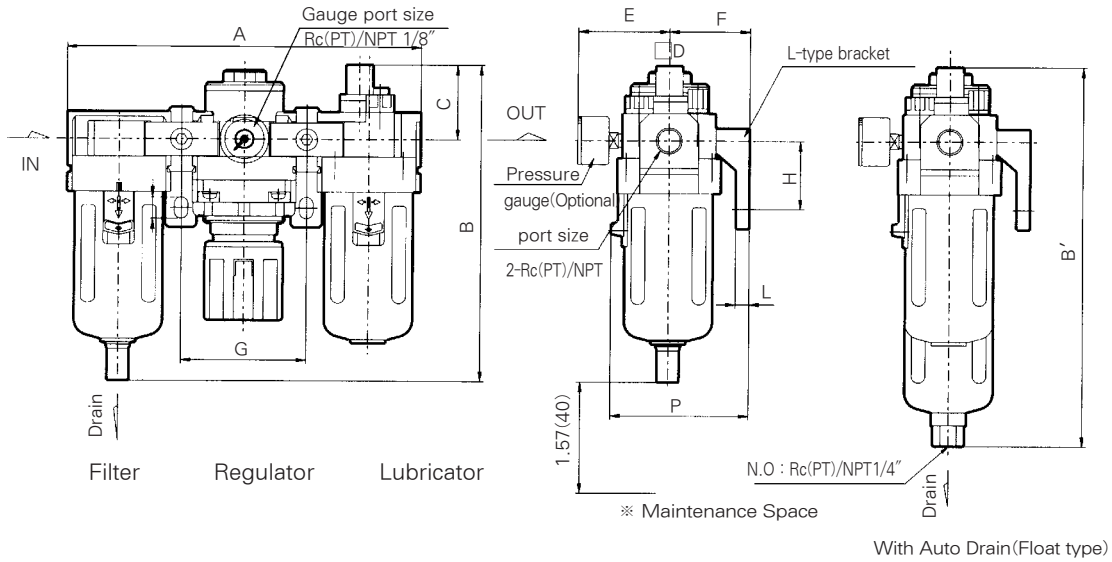
Model	Port Size Rc(PT)/NPT	A	B	C	D	E	F	G	H	J	K	L	P	With auto drain Float type N·O
														B'
PC3000	1/4" · 3/8"	6.14 (156.5)	6.12 (155.5)	1.50 (38)	2.09 (53)	2.42 (66.5)	1.61 (41)	2.52 (64)	1.73 (44)	0.63 (16)	0.43 (11)	0.28 (7)	2.66 (67.5)	7.13 (181)

Series PC

Dimensions

inch(mm)

PC4000

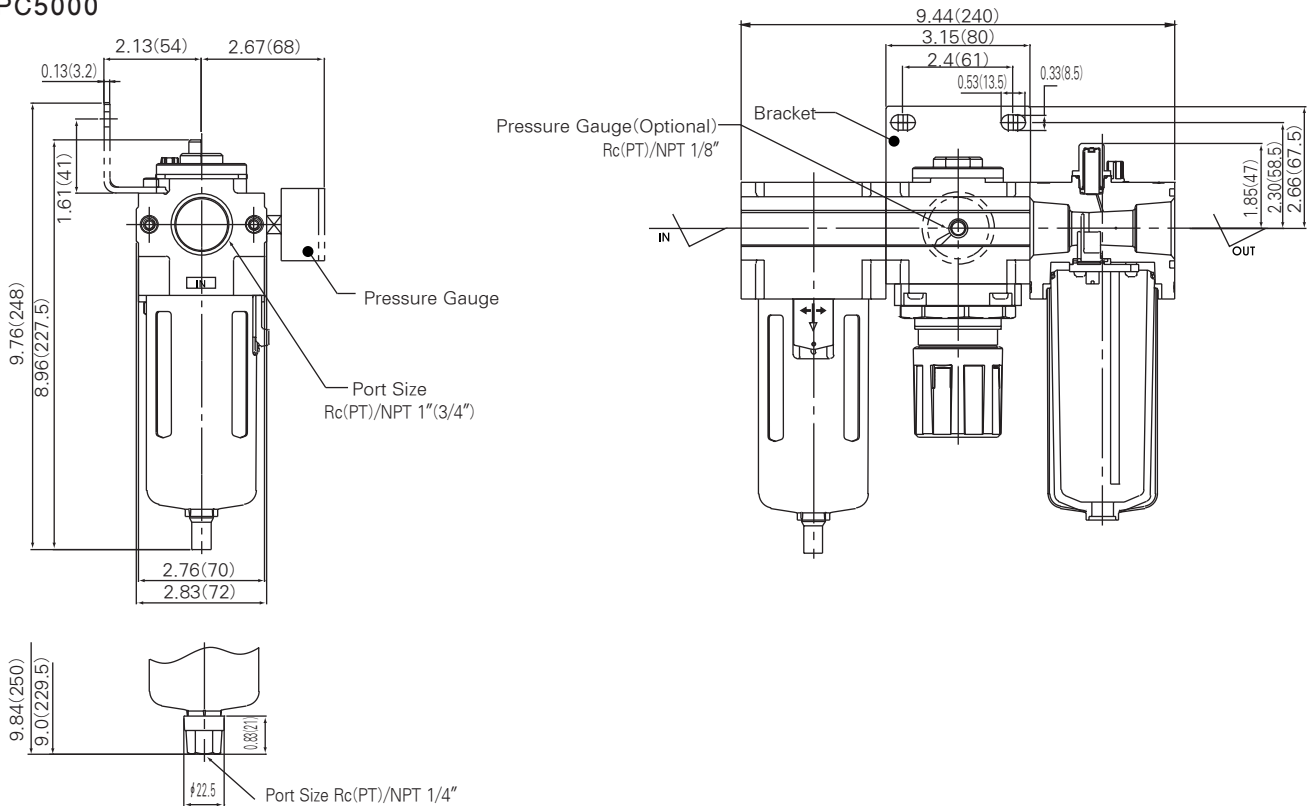


Model	Port Size (NPT)	inch(mm)												
		A	B	C	D	E	F	G	H	J	K	L	P	With auto drain Float type N·O B'
PC4000	3/8" · 1/2"	9.37 (238)	7.68 (195)	1.61 (41)	2.76 (70)	2.58 (65.5)	1.97 (50)	3.31 (84)	1.57 (40)	0.35 (9)	0.51 (13)	0.28 (7)	3.46 (88)	8.50 (216)

Dimensions

inch(mm)

PC5000



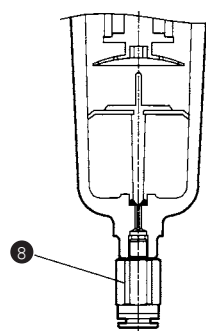
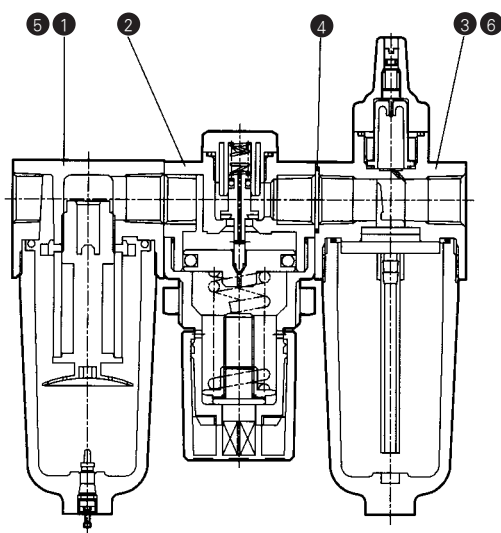
Auto Drain Type

Structure / Series PC2000

inch(mm)

Reserve / Exchange Parts No.

No.	Name	Material	Note
①	Filter Ass'y		
②	Regulator		
③	Lubricator Ass'y		
④	Combination O-ring	N.B.R	
⑤	Unit Scrw-A	SCM3	
⑥	Unit Scrw-B	SCM3	
⑦	Auto Drain Ass'y		
⑧	Fitting		Optional



Auto Drain Float type

PC

PF

PFH
PFU

PR

PL

PW

SH

TDF

TAD

PER

EP

Precautions

Installation

- ① Flush piping before installation.
- ② The use of the piping adapters will make installation easier.
- ③ The regulator may be installed with the adjustment knob up or down.

Auto Drain

Float type (Normally Open)(PC3000, 4000, 5000)

- ① Drain line should be 5/16 inch(8mm) or more and should be less than 16.5ft(5m)long. Be sure not to have any upward turns in the drain line which would prevent drainage.
 - ② Unsuitable for flow below 3.5 SCFM(100N l/min)
 - ③ Min. operating pressure is 15 PSI (1kgf/cm²)
 - ④ Soft nylon tube of more than 3/32 inch(φ2.5)O.D, is recommended for drain pipe. The length should be less than 16 ft.(5m)long.
 - ⑤ Should be installed vertically.
- * Semi-Automatic Drain Type(PC2000)

Atmosphere

- ① Polycarbonate bowls may be damaged and possibly fail if exposed to synthetic oils, thinner solvents, trichlorethylene, kerosene or other aromatic hydrocarbons.

Accessory(Optional)

Name	Part No.				
	PC2000	PC3000	PC4000	PC5000	
Pressure gauge	1.05MPa	TAR4000-16-6001(PT)			
	150 PSI	PR4000-16-6001U(NPT)			
Auto drain	N·O	*PF2000	TAF3000	TAF4000-	PC5000-
		-01A-6039	-01A6008	01A-6009	01A-6071

- Min. operating pressure:N·O 1kgf/cm²(15PSI)

* Differential Pressure type