

Valves and Solenoid valves Series 3

2x3/2, 3/2, 5/2 and 5/3 ways CC CO CP
Ports G1/8 and G1/4



The G1/8 and G1/4 Series 3 solenoid valves have been designed with 3/2, 2 x 3/2, 5/2, 5/3 in two main versions which are:

- Electropneumatically actuated with mechanical spring return
- Electropneumatically actuated with external and internal air pressure supply

The Series 3 is equipped with a manual override which allows a stable operation.

The Series 3 valves can be operated by Series U or G solenoids (22x22).

GENERAL DATA

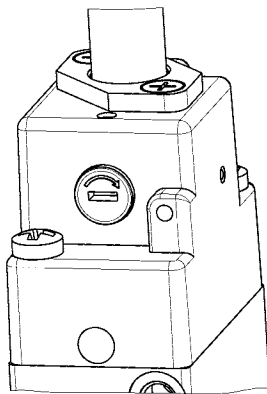
Construction	spool - type
Valve group	2x3/2 - 3/2 - 5/2 - 5/3 way CC CO CP
Materials	AL body, stainless steel spool, NBR seals
Ports	G1/8 - G1/4
Installation	in any position
Operating temperature	0 + 60°C (with dry air at -20°C)
Operating pressure	see tables
Fluid	filtered air, without lubrication. If lubricated air is used, it is recommended to use ISOVG32 oil. Once applied the lubrication should never be interrupted.

CODING EXAMPLE

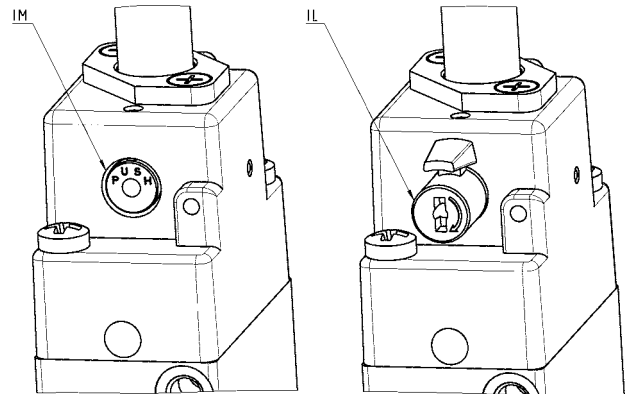
3	3	8	D	-	015	-	02	-	U	7	7
3	SERIES										
3	N° OF PORTS/POSITIONS: 3 = 3/2 NC 4 = 3/2 NO 5 = 5/2 6 = 5/3 C. closed 7 = 5/3 C. open 8 = 5/3 C. pressure 9 = 1x 3/2 NC + 1x-3/2 NO										
8	PORTS: 8 = G1/8 4 = G1/4										
D	D = double valve 2x3/2 L = for manifold assembly (only for 3/2 G1/8)										
015	ACTUATION: 011 = double solenoid 015 = single solenoid, spring return 016 = single solenoid, pneumatic spring return E11 = double solenoid external servo-command E15 = single solenoid, external servo-command 033 = pneumatic pneumatic 035 = pneumatic spring										
22	SOLENOID INTERFACE: 02 = mech. sol. 22 x 22										
U	SOLENOID MATERIAL: U = PET G = PA A8 = PPS H8 = PA 6 V0 A7 = PPS										
7	SOLENOID DIMENSIONS: 7 = 22 x 22 8 = 30 x 30										
7	SOLENOID VOLTAGE: See page solenoids 2.2.35.01										
	TYPE OF MANUAL OVERRIDE: = bistable, standard IL = bistable, lever type(available on demand) IM = monostable (available on demand)										

TYPES OF MANUAL OVERRIDE

New



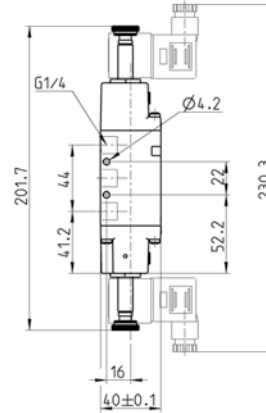
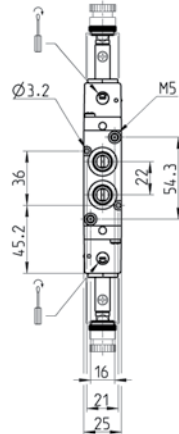
Example of solenoid valve with a bistable standard manual override.



Example of solenoid monostable valve (IM) and bistable valve with a lever type manual override (IL). Both versions are available on demand. To order them it is necessary to add IM or IL at the end of the code. Code ex.: 454-015-22-U771L.

5/2-way solenoid valve, G1/4, bistable Mod. 354...

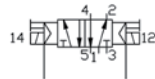
The Series 3, G1/4 5/2-way solenoid valves, which have electropneumatic actuation and spring return, are suitable for operating double-acting cylinders.



A1



S7



Mod.	Function	Flow rate Nl/min	Operating pressure (bar)	Pilot pressure (bar)	Symbol
354-011-02	5/2	1300	2,5 + 10	-	A1
354-E11-02	5/2	1300	-0,9 + 10	2,5 + 10	S7