

Series *PC* 2010 • 3010 • 4010 • 5010

Modular Filter/Regulator, Lubricator Combinations



Standard Specifications

Model		PC2010	PC3010	PC4010	PC5000
Combination	Filter Regulator	PW2000	PW3000	PW4000	PW5000
	Lubricator	PL2000	PL3000	PL4000	PL5000
Port size (Rc(PT)/NPT)		1/8", 1/4"	1/4", 3/8"	3/8", 1/2"	3/4", 1"
Port size for Pressure		1/8"(Rc(PT)/NPT)			
Max. Flow rate Nl/min (SCFM)		500(18)	1,700(60)	3,000(105)	5000(175)
Weight kgf (LbS)		0.66(1.46)	0.98(2.16)	1.93(4.25)	2.23(4.91)

※ Conditions: Supply pressure-7 kgf/cm²(100 PSI), Setting pressure-5 kgf/cm²(70 PSI)

※ Add Note as on PC

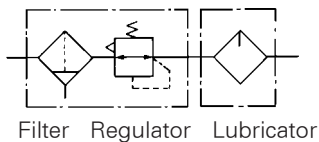
● Accessories(Optional)

Name		Part No.			
		PC2010	PC3010	PC4010	PC5010
Pressure gauge	1.05MPa	TAR4000-16-6001(PT)			
	150 PSI	PR4000-16-6001U			
Auto drain	N·O	※PF2000-01A-6039	TAF3000-01A-6008	TAF4000-01A-6009	PF5000-01A-6071

※ PC2010:Differential Pressure type

- Min Operating Pressure :1kgf/cm²(15PSI)

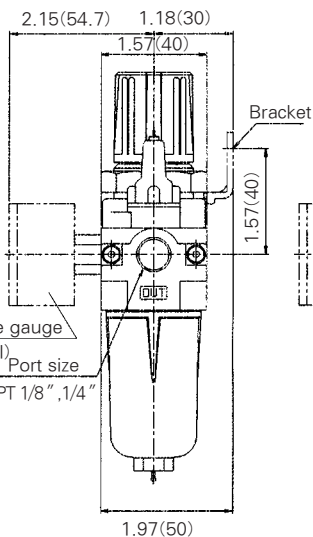
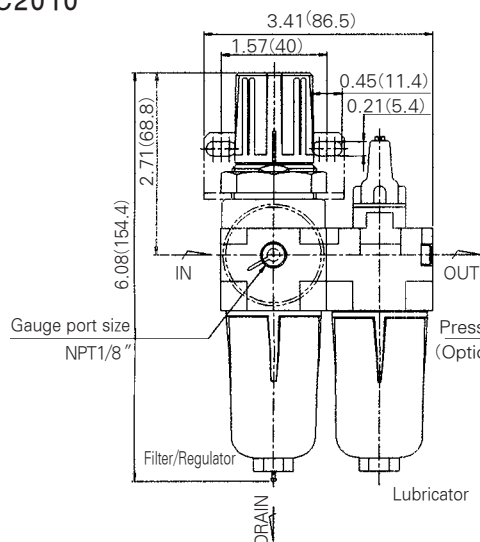
Symbol



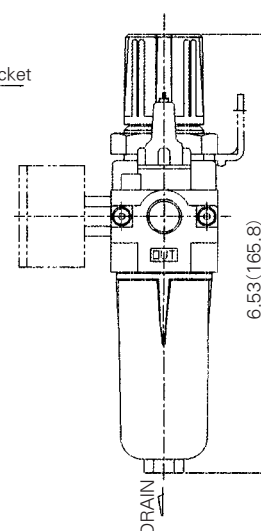
Dimensions

inch(mm)

PC2010



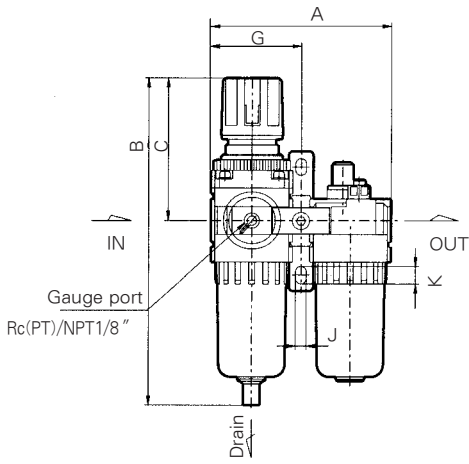
With Auto Drain



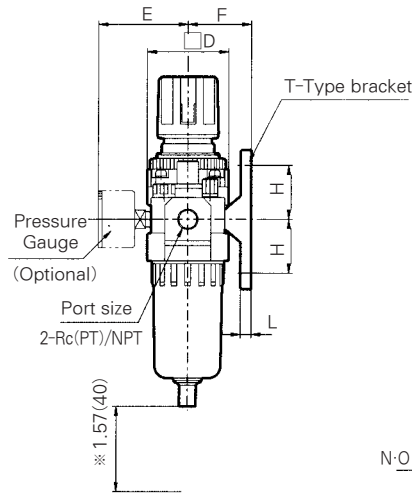
Dimensions

inch(mm)

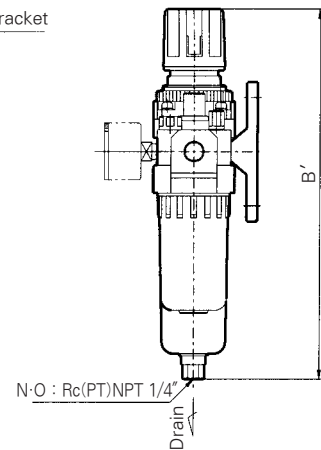
PC3010



Filter Regulator

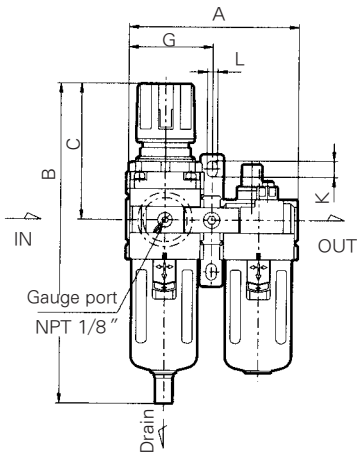


※ Maintenance Space

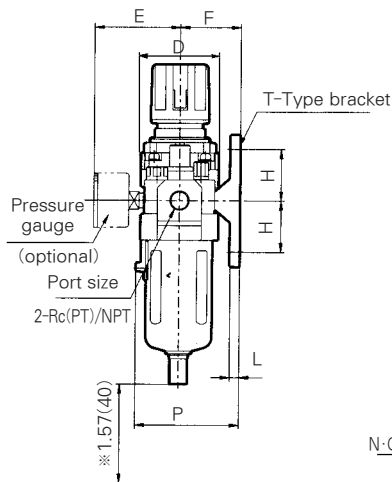


With Auto Drain(Float type)

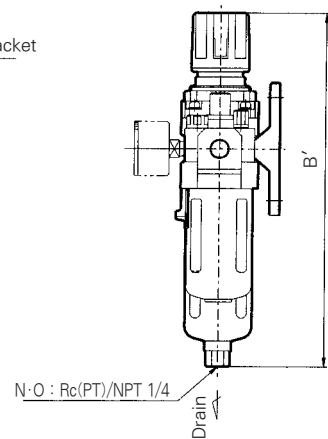
PC4010



Filter Regulator



※ Maintenance Space



With Auto Drain(Float type)

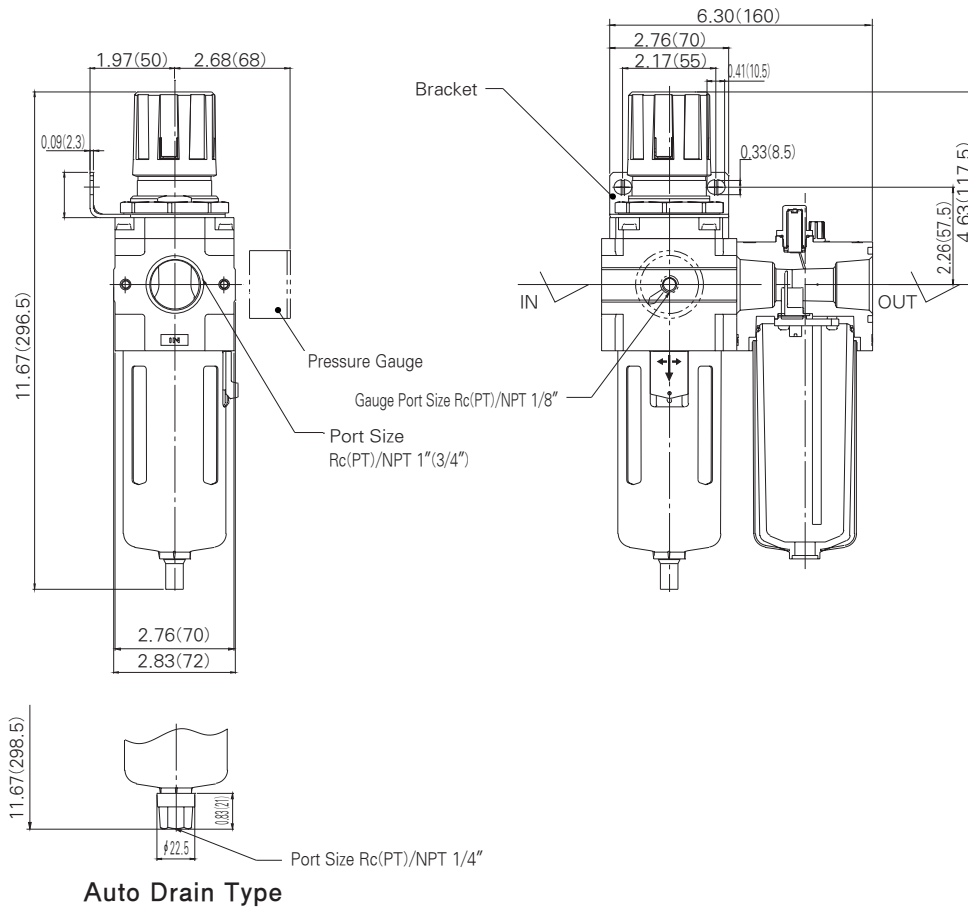
Model	Port Size (Rc(PT)/NPT)	A	B	C	D	E	Bracket Mount Measure						P	inch(mm)	
							F	G	H	J	K	L		With Auto Drain Float type N·O	
														B'	
PC3010	1/4" · 3/8"	4.61 (117)	8.30 (211)	3.64 (92.5)	2.09 (53)	2.42 (61.5)	1.61 (41)	2.30 (58.5)	1.38 (35)	0.28 (7)	0.43 (11)	0.28 (7)	-	9.31 (234)	
PC4010	3/8" · 1/2"	6.06 (154)	10.47 (266)	4.40 (112)	2.76 (70)	2.68 (68)	1.79 (50)	3.03 (77)	1.57 (40)	0.35 (9)	0.51 (13)	0.28 (7)	3.46 (88)	11.30 (287)	

- PC
- PF
- PFH
PFU
- PR
- PL
- PW
- SH
- TDF
- TAD
- PER
- EP

Dimensions

inch(mm)

PC5010



Precautions

Installation

- ① Flush piping before installation.
- ② The use of the piping adapters will make installation easier.
- ③ The regulator may be installed with the adjustment knob up or down.

Atmosphere

- ① Polycarbonate bowls may be damaged and possibly fail if exposed to synthetic oils, thinner solvents, trichlorethylene, kerosene or other aromatic hydrocarbons.

Auto Drain

Float type (Normally Open)(PC3000, 4000, 5000)

- ① Drain line should be 5/16 inch(8mm) or more and should be less than 16.5ft(5m)long. Be sure not to have any upward turns in the drain line which would prevent drainage.
 - ② Unsuitable for flow below 3.5 SCFM(100N l /min)
 - ③ Min. operating pressure is 15 PSI (1kgf/cm²)
 - ④ Soft nylon tube of more than 3/32 inch(ϕ 2.5)O.D, is recommended for drain pipe. The length should be less than 16 ft.(5m)long.
 - ⑤ Should be installed vertically.
- ※ Semi-Automatic Drain Type(PC2000)

Accessory(Optional)

Name	Part No.				
	PC2000	PC3000	PC4000	PC5000	
Pressure gauge	1.05MPa	TAR4000-16-6001(PT)			
	150 PSI	PR4000-16-6001U(NPT)			
Auto drain	N·O	※PF2000	TAF3000	TAF4000-	PC5000-
		-01A-6039	-01A6008	01A-6009	01A-6071

- Min. operating pressure:N·O 1kgf/cm²(15PSI)

※ Differential Pressure type