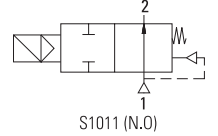


B

GENERAL FEATURES

- New design, internal exhaust system
- Suitable for non-aggressive liquids (water, light oil (2E) etc...), gaseous fluids (air, inert gases etc...)
- Working Temperature : -10°C / +80°C
- Not suitable for use with dangerous fluids listed in Group 1
- Minimum operating differential pressure 0,5 bar
- High reliability, quality and performance; long life, corrosion resistance
- Wide pressure ratings, range of flow rate and orifice options
- Ideal for the automatic control of media in a wide range of applications.
- TORK solenoid valves satisfy relevant 97/23/EC, Pressure Equipment Directive (PED) and 2006/95/EEC Low Voltage Directive (LVD).
- Coils interchangeable
- Flow factor Kv of each valve is indicated, so that the flow Q can be calculated as a function of pressure
- Solenoid valves must be used with filtered fluids.
- Solenoid valve can be mounted in any position without affecting operation; vertical with coil upwards preferred.
- Standard pipe connection is G (BSP) (ISO 228-1) and on request; other pipe connections are available (NPT (ANSI 1.20.3))

Normally Open



NEW



ELECTRICAL CHARACTERISTICS

- Continuous Duty : ED %100
- Coil Insulation Class : H (180°C)
- Coil Impregnation : Polyester Fiber Glass
- Coil Encapsulation Material : Fiber Glass Reinforced
- Ambient Temperature : from -10°C; +60°C
- Protection Degree : IP 65 (EN 60529) with coil duly fitted with the plug connector
- Electric Plug Connection : DIN 46340 3-poles connectors (DIN 43650)
- Connector Specification : ISO 4400 / EN 175301-803, Form A, Spade plug (Cable Ø 6-8 mm)
- Electrical Safety : IEC 335
- Standard Voltages : For AC 12V, 24V, 48V, 110V, 230V
For DC 12V, 24V, 48V, 110 V

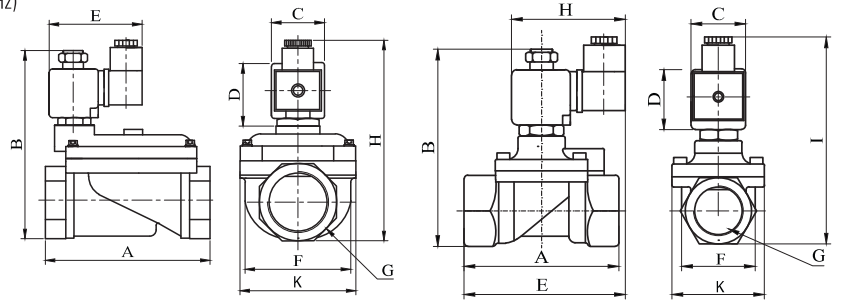
- Other voltages on request;
- Voltage Tolerances : For AC -15%; +10%, For DC -5%; +10%
- Frequency : 50 Hz, other frequencies on request; (60 Hz)
- On request; connector with LED
- Specify coil voltage with order

MATERIALS IN CONTACT WITH FLUID

- Body : Brass
- Internal Parts : Stainless Steel and brass
- Sealing : NBR
- Shading Ring : Copper
- Seats : Brass
- Core Tube : Stainless Steel and Brass
- Springs : Stainless Steel
- On request; nickel plated body
- On request; internal parts can be Stainless Steel.
- On request; sealing can be FPM (VITON), EPDM

TECHNICAL FEATURES

- Max Viscosity : 5°E (~37cSt or mm2/s)
- Response Time : Opening Time : 400 ms to ~ 1600 ms,
Closing Time : 1000 ms to ~ 2000 ms
- Maximum Allowable Pressure : 20 bar
- Fluid Temperature for FPM (VITON) from -10°C; +160°C, for EPDM from -10°C; +140°C



Dimensions (mm)

G	A	B	C	D	E	F	K	H
1 1/4"	141	143	32	45	73.4	96.5	110.7	156
1 1/2"	139	143	32	45	73.4	96.5	110.7	156
2"	145.6	153	32	45	73.4	96.5	110.7	165.5

Dimensions (mm)

G	A	B	C	D	E	F	K	H	I
3/8"	75	97	32	45	91.3	37.5	52	76	108
1/2"	79	100	32	45	92	39.5	52	76	110
3/4"	79	107.5	32	45	94	41.5	52	76	118
1"	87	115	32	45	102	42.5	52	76	124

Valve Type / Order no	New Valve Type / Order no	Connection Size	Orifice size	Pressure min / max		KV	Fluid Temperature		Seal	Weight
				bar	bar		min °C	max		
T-GN	S1011	G	mm	bar	bar	lt/min	min	max		(kg)
T-GN 102	S1011.02	3/8"	12.5	0.5	12	48	-10	80	NBR	0.69
T-GN 103	S1011.03	1/2"	14.5	0.5	12	70	-10	80	NBR	0.72
T-GN 104	S1011.04	3/4"	17	0.5	12	85	-10	80	NBR	0.81
T-GN 105	S1011.05	1"	17	0.5	12	90	-10	80	NBR	0.98
T-GN 106	S1011.06	1 1/4"	46	0.5	10	390	-10	80	NBR	2.66
T-GN 107	S1011.07	1 1/2"	46	0.5	10	460	-10	80	NBR	2.56
T-GN 108	S1011.08	2"	46	0.5	10	580	-10	80	NBR	2.99

Useful Informations

1 bar : 14,5 PSI : 10 mH₂O : 10 N/cm² : 1 kg/cm² : 100000 Pa, 1 PSI : 69 mbar, 1 m³/h : 4,405 GPM : 16,7 L/d 1 Gallon / minute : 0,227 m³/h, 0°C : 89,6 F
Sealings: NBR : Nitrile-Butylene Elastomer, FPM (VITON) : Fluoro-Carbon Elastomer, EPDM : Ethylene-Propylene Elastomer