

Valves and Solenoid valves Series 4

3/2, 5/2 and 5/3 way CC CO CP
Ports G1/8 - G1/4 - G1/2

2

CONTROL



The Series 4 valves have been designed with 3/2, 5/2, 5/3 in two main versions which are:

- Electropneumatically actuated and spring
- Electropneumatically actuated and return

Series 4 is equipped with a manual override which permits a stable operation.

All these valves can be operated by solenoids Series U, G A8 and H8. Moreover, valves with ports G1/2 only can be supplied with solenoids Series A6 (32x32).

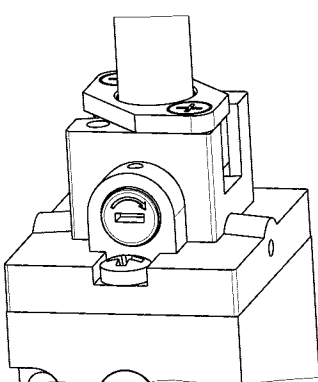
GENERAL DATA

Construction	spool - type
Valve functions	3/2 - 2x3/2 - 5/2 - 5/3 way / pos.
Materials	AL body, stainless steel spool, NBR PU seals
Ports	G1/8 - G1/4 - G1/2
Installation	in any position
Operating temperature	0 + 60°C (using dry air at -20°C)
Operating pressure	see tables
Fluid	filtered air, without lubrication. If lubricated air is used, it is recommended to use ISOVG32 oil. Once applied the lubrication should never be interrupted.

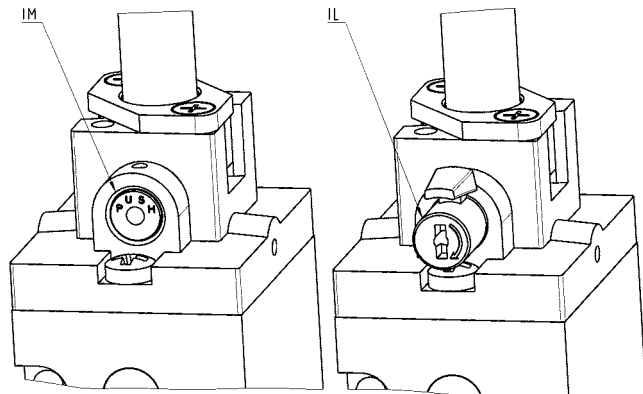
CODING EXAMPLE										
4	5	4	-	015	-	22	-	U	7	7
4	SERIES									
5	N° OF PORTS/POSITIONS: 3 = 3/2 NC 4 = 3/2 NO 5 = 5/2 6 = 5/3 CC 7 = 5/3 CO									
4	PORTS: 8 = G1/8 4 = G1/4 2C = G1/2									
015	ACTUATION: 011 = double solenoid (horizontal solenoids) V11 = double solenoid (vertical solenoids) only Series 4 G1/4 015 = single solenoid, spring return (horizontal solenoids) V15 = single solenoid, spring return (vertical solenoid) only Series 4 G1/4 016 = single solenoid, pneumatic spring return (horizontal solenoid) V16 = single solenoid, pneumatic spring return (vertical solenoid) only Series 4 G1/4 33 = pneumatic pneumatic 34 = pneumatic differential 35 = pneumatic spring									
22	SOLENOID INTERFACE:: 22 = mech. sol. 22 x 22 50 = mech. sol. 32 x 32 - only G1/2									
U	SOLENOID MATERIAL: U = PET G = PA A6 = PPS H8 = PA 6 V0									
7	SOLENOID DIMENSIONS: 6 = 32 x 32 solo G1/2 7 = 22 x 22 8 = 30 x 30 9 = 22 x 58									
7	SOLENOID VOLTAGE: see solenoids section on page 2.2.35.01									
	TYPE OF MANUAL OVERRIDE: = bistable, standard IL = bistable, lever type(available on demand) IM = monostable (available on demand)									

TYPES OF MANUAL OVERRIDE

New



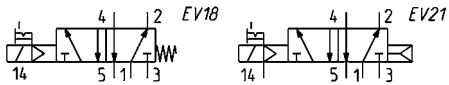
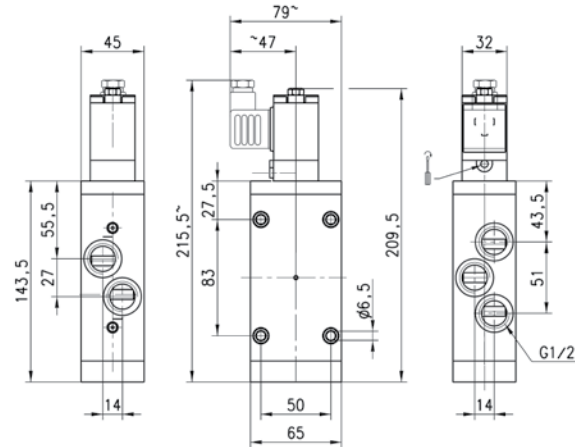
Example of solenoid valve with a bistable standard manual override.



Example of solenoid monostable valve (IM) and bistable valve with a lever type manual override (IL). Both versions are available on demand. To order them it is necessary to add IM or IL at the end of the code. Code ex.: 454-015-22-U771L.

5/2-way solenoid valve, G1/2, monostable - Mod. 452C...

These solenoid valves, which have electropneumatic actuation and spring or pneumatic spring return are suitable for operating double-acting cylinders.



Mod.	Function	Flow rate (NI/min)	Operating pressure (bar)	Symbol
452C-015-50-A6*	5/2	2500	2,5 ÷ 10	EV18
452C-016-50-A6*	5/2	2500	2,5 ÷ 10	EV21