

Valves and Solenoid valves Series 9

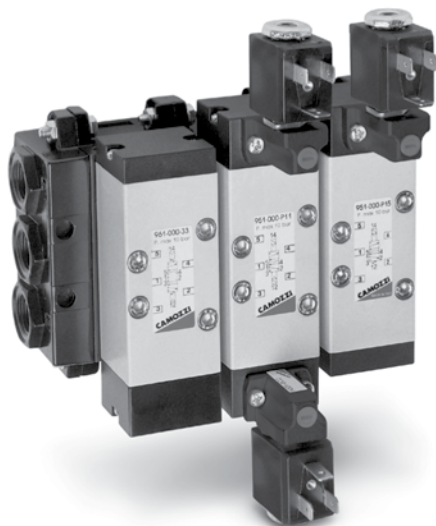
5/2 and 5/3 way CC CO

Sizes 1 - 2 - 3

According to the standard ISO 5599/1

2

CONTROL



The Series 9 electropneumatically or pneumatically operated valves have been manufactured in the sizes 1, 2 and 3, as recommended by the ISO Standards.

The ease of pneumatic and electrical wiring makes this valves series extremely flexible.

GENERAL DATA

Operating pressure	max. press. 10 bar (for minimum pressures see descriptions)
Nominal pressure	6 bar
Nominal flow	ISO 1= 900 NI/min ISO 2 = 1610 NI/min ISO 3 = 4350 NI/min
Operating temperature	0 ÷ 60°C (with dry air at -20°C)
Fluid	filtered air, without lubrication. If lubricated air is used, it is recommended to use ISOVG32 oil and to never interrupt the lubrication.
Interface electropneumatic	CNOMO Standards

CODING EXAMPLE

9 5 1 - C 1 B - P16 - 23 - U 7 7

9	SERIES
5	NO OF WAYS/POSITIONS: 5 = 5/2 6 = 5/3 Closed Centres 7 = 5/3 Open Centres
1	SIZE: 1 = size 1 2 = size 2 3 = size 3
C	SUB-BASE: C = ISO (manifold outlets) F = ISO (single sub-base, side ports) G = ISO (single sub-base, rear ports) N = ISO (front outlet interface) N1A = (front outlet sub - base)
1	PORTS (OUTLETS): Size 1 = G1/4 Size 2 = G3/8 Size 3 = G1/2
B	N° OF SUB-BASE: A = 1 *B = 2 *C = 3 *D = 4 *E = 5 *F = 6 *G = 7 *H = 8 *K = 9 *L = 10 *M = 11 *N = 12 *P = 13 *R = 14 *S = 15
P 16	ACTUATION: 33 = pneumatic, pneumatic return 34 = pneumatic, differential pneumatic return 35 = pneumatic, mechanical spring return P11 = double solenoid (horizontal solenoids) P15 = single solenoid, spring return (horizontal solenoids) P16 = solenoid, pneumatic spring return (horizontal solenoids)
23	SOLENOID INTERFACE: 23 = A531 - BC2
U	SOLENOID MATERIAL: U = PET G = PA A8 = PPS H8 = PA 6 VO
7	SOLENOID DIMENSIONS: 7 = 22 x 22 8 = 30 x 30 9 = 22 x 58
7	SOLENOID VOLTAGE: See solenoids page 2.2.35.01

2

CONTROL

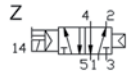
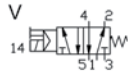
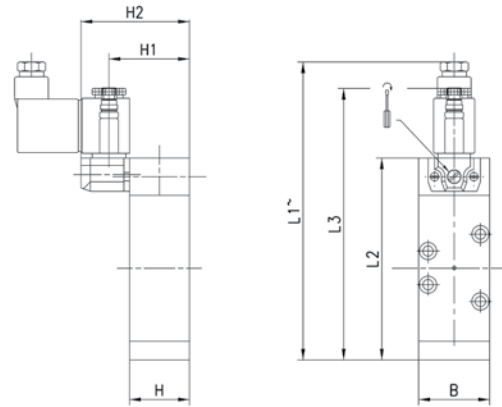
* Complete with two end - blocks Mod. 900-H or 900-HN.

5/2-way solenoid valves, ISO 1, ISO 2, ISO 3, monostable

The Series 9 solenoid valves with an ISO interface, size 1, 2 and 3, which have electropneumatic actuation and spring return, are suitable for mounting on a sub-base.

For electrical actuation, 2 types of solenoid, Mod. A70 and Mod. A80, are available with a wide range of voltages and power consumptions.

The following is supplied:
1x interface seals
4x fixing screws.



DIMENSIONS

Mod.	Size ISO	B	L1	L2	L3	H	H1	H2	Min. operating pressure	Symbol
951-000-P15-23	1	38	153	108	146	32	43	58	2,5	V
952-000-P15-23	2	51	173	128	166	33	44	59	2,5	V
953-000-P15-23	3	65	218	173	211	45	56	71	2,5	V
951-000-P16-23	1	38	153	108	146	32	43	58	2,5	Z
952-000-P16-23	2	51	173	128	166	33	44	59	2,5	Z
953-000-P16-23	3	65	218	173	211	45	56	71	2,5	Z