

**B**

**GENERAL FEATURES**

- **Small body size.**
- **New design, internal exhaust system**
- **Suitable for non-aggressive liquids (water, light oil (2E) etc...), gaseous fluids (air, inert gases etc...)**
- Working Temperature : -10°C / +80°C
- Not suitable for use with dangerous fluids listed in Group 1
- **Don't require any differential pressure**
- Compact and low weight valve enabling easy and quick installation
- High reliability, quality and performance; long life, corrosion resistance
- Wide pressure ratings, range of flow rate and orifice options
- On request; solenoid valve can have 1 mounting holes at the bottom of the body.
- These solenoid valves are ideal for the automatic control of media in a wide range of applications.
- TORK solenoid valves satisfy relevant 97/23/EC, Pressure Equipment Directive (PED) and 2006/95/EEC Low Voltage Directive (LVD).
- Coils interchangeable
- Flow factor Kv of each valve is indicated, so that the flow Q can be calculated as a function of pressure
- Solenoid valves must be used with filtered fluids.
- Solenoid valve can be mounted in any position without affecting operation; vertical with coil upwards preferred.
- Standard pipe connection is G (BSP) (ISO 228-1) and on request; other pipe connections are available (NPT (ANSI 1.20.3))

**ELECTRICAL CHARACTERISTICS**

- Continuous Duty : ED %100
- Coil Insulation Class : H (180°C)
- Coil Impregnation : Polyester Fiber Glass
- Coil Encapsulation Material : Fiber Glass Reinforced
- Ambient Temperature : from -10°C; +60°C
- Protection Degree : IP 65 (EN 60529) with coil duly fitted with the plug connector
- Electric Plug Connection : DIN 46340 3-poles connectors (DIN 43650)
- Connector Specification : ISO 4400 / EN 175301-803, Form A, Spade plug (Cable Ø 6-8 mm)
- Electrical Safety : IEC 335
- Standard Voltages : For AC 12V, 24V, 48V, 110V, 230V  
For DC 12V, 24V, 48V, 110 V

- Other voltages on request;
- Voltage Tolerances : For AC -15%; +10%, For DC -5%; +10%
- Frequency : 50 Hz, other frequencies on request; (60 Hz)
- On request; connector with LED
- Specify coil voltage with order

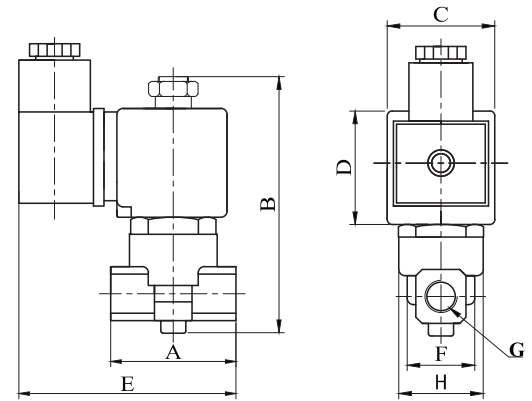
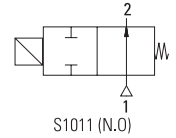
**MATERIALS IN CONTACT WITH FLUID**

- Body : Brass
- Internal Parts : Stainless Steel
- Sealing : NBR
- Shading Ring : Copper
- Seats : Brass
- Core Tube : Stainless Steel and Brass
- Springs : Stainless Steel
- On request; nickel plated body
- On request; internal parts can be stainless Steel.
- On request; sealing can be FPM (VITON), EPDM
- On request; seat Stainless Steel (for overheated water and steam)

**TECHNICAL FEATURES**

- Max Viscosity : 5°E (~37cSt or mm<sup>2</sup>/s)
- Response Time : Opening Time: 30 ms,  
Closing Time: 30 ms
- Maximum Allowable Pressure : 20 bar
- Fluid Temperature for FPM (VITON)  
from -10°C; +160°C, for EPDM from -10°C; +140°C

**Normally Open**



Dimensions (mm)

	G	A	B	C	D	E	F	H
1/8"	40	90	32	39	78	22.3	25.6	
1/4"	40	90	32	39	78	22.3	25.6	

Valve Type / Order no	New Valve Type / Order no	Connection Size	Orifice size	Pressure		KV	Fluid Temperature		Seal	Weight
				min	max		min	max		
<b>T-GN</b>	<b>S1011</b>	<b>G</b>	<b>mm</b>	<b>bar</b>	<b>bar</b>	<b>lt/min</b>	<b>°C</b>			<b>(kg)</b>
T-GN 100	S1011.00.018	1/8"	1.8	0	12	1.6	-10	80	NBR	0.38
T-GN 100.2	S1011.00.020	1/8"	2	0	11	2	-10	80	NBR	0.38
T-GN 100.2,2	S1011.00.022	1/8"	2.2	0	10	2.3	-10	80	NBR	0.38
T-GN 100.2,5	S1011.00.025	1/8"	2.5	0	10	3.2	-10	80	NBR	0.38
T-GN 100.3	S1011.00.030	1/8"	3	0	5	4.6	-10	80	NBR	0.38
T-GN 101	S1011.01.018	1/4"	1.8	0	12	1.6	-10	80	NBR	0.37
T-GN 101.2	S1011.01.020	1/4"	2	0	11	2	-10	80	NBR	0.37
T-GN 101.2,2	S1011.01.022	1/4"	2.2	0	10	2.3	-10	80	NBR	0.37
T-GN 101.2,5	S1011.01.025	1/4"	2.5	0	10	3.2	-10	80	NBR	0.37
T-GN 101.3	S1011.01.030	1/4"	3	0	5	4.6	-10	80	NBR	0.37

**Useful Informations**

1 bar : 14,5 PSI : 10 mH<sub>2</sub>O : 10 N/cm<sup>2</sup> : 1 kg/cm<sup>2</sup> : 100000 Pa, 1 PSI : 69 mbar, 1 m<sup>3</sup>/h : 4,405 GPM : 16,7 L/d 1 Gallon / minute : 0,227 m<sup>3</sup>/h, 0°C : 89,6 F  
Sealings: NBR : Nitrile-Butylene Elastomer, FPM (VITON) : Fluoro-Carbon Elastomer, EPDM : Ethylene-Propylene Elastomer