

70 Mpa WORKING PRESSURE

The wide range of UP-35 Series Power Packs has been designed for a large variety of applications and is capable of operating pressures upto 70Mpa.

All models are equipped with remote control and shoulder strap for easy handling and operation. The light weight and high performance make this Power Pack ideal for use :

- With hydraulic pullers, pipe benders, cable tools and jacks
- For the general industry, electric installations, construction industry, ship building, automotive servicing, material handling, laboratories and educational institutes.

TECHNICAL SPECIFICATIONS

| Model | Electric Motor (50/60Hz) | | | | Electric Motor (50/60Hz) | | | | Cap. ℓ | Usable ℓ | Net Wt. With Oil (about)kg | Control Switch |
|----------------------|--------------------------|-------------|----------------|----------------|--------------------------|-------------|-------------------|-------------|------------|------------|----------------------------|----------------|
| | Type | Volt (V) AC | Output KW (HP) | Revolution rpm | Max. pressure Mpa | | Output < ℓ /min > | | | | | |
| | | | | | H. pressure | L. pressure | H. pressure | L. pressure | | | | |
| UP-35RH UP-35RH-L | Commutator motor | 230※ | 0.35 (1/3) | 2000 | 70 | 1 | 0.2 | 2.0 | 1.0 2.0 | 0.8 1.6 | 7.2 | Remote ON/OFF |

※ Available with 110V motors.

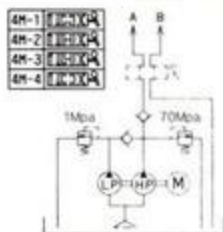
UP-35RH- 4M (L)



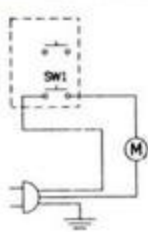
WEIGHT
8.5kg
(2.0 ℓ Tank 9.7kg)

WITH THREE POSITION-FOUR WAY MANUAL VALVE
For double acting cylinders. When ON switch is pressed pump is running. ON switch released pump stops. Four different manual valves are available for different applications.

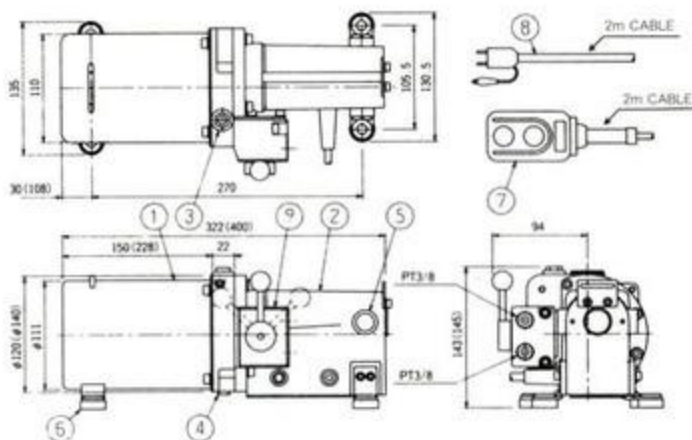
HYDR. CIRCUIT



EL. CIRCUIT



DIMENSIONS



| | | |
|---------------|----------------|-----------------|
| ① OIL TANK | ④ PUMP | ⑦ REMOT CONTROL |
| ② MOTOR | ⑤ CARBON BRUSH | ⑧ EL. CABLE |
| ③ FILLING CAP | ⑥ SUPPORT LEGS | ⑨ MANUAL VALVE |

TYPICAL APPLICATIONS

Gear, pulley removal



Wire rope, cable cutting



Punching



Jacking up



pasarpneumatichydraulic.com

Indonesia 1st pneumatic and hydraulic product marketplace

Kompleks Golden Ville No. 88DB, Jl. Daan Mogot 2 - Duri Kepa

Jakarta Barat - INDONESIA 11510

Tel.: +62-8111924474 (Ms. Hasnah)

sales@pasarpneumatichydraulic.com