

Series **PC** 2020 · 3020 · 4020 · 5020

Modular Filter, Regulator Combinations



Standard specifications					
Model		PC2020	PC3020	PC4020	PC5020
Combination	Filter	PF2000	PF3000	PF4000	PF5000
	Regulator	PR2000	PR3000	PR4000	PR5000
Port Size(Rc(PT)/NPT)		1/8", 1/4"	1/4", 3/8"	3/8", 1/2"	3/4", 1"
Port size for Pressure gauge		1/8"(Rc(PT)/NPT)			
Regulating Range		0.05~0.85MPa(7~125 PSI)			
Weight kgf(lbs)		0.36(0.79)	0.82(1.81)	1.61(3.55)	2.01(4.43)
※ Max. Flow rate Nl/min (SCFM)		550(20)	1500(50)	4000(140)	5,000(175)

※ Conditions: Supply pressure-7 kgf/cm²(100 PSI), Setting pressure-5 kgf/cm²(70 PSI)

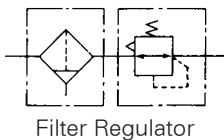
● Accessories(Optional)

Name		Part No.			
		PC2020	PC3020	PC4020	PC5020
Pressure gauge	1.03MPa	TAR4000-16-6001			
	150 PSI	PR4000-16-6001U			
Auto drain	N-O	※PF2000-01A-6039	TAF3000-01A-6008	TAF4000-01A-6009	PF5000-01A-6071

- Min Operating Pressure : 1kgf/cm²(15PSI)

※ Differential Pressure type

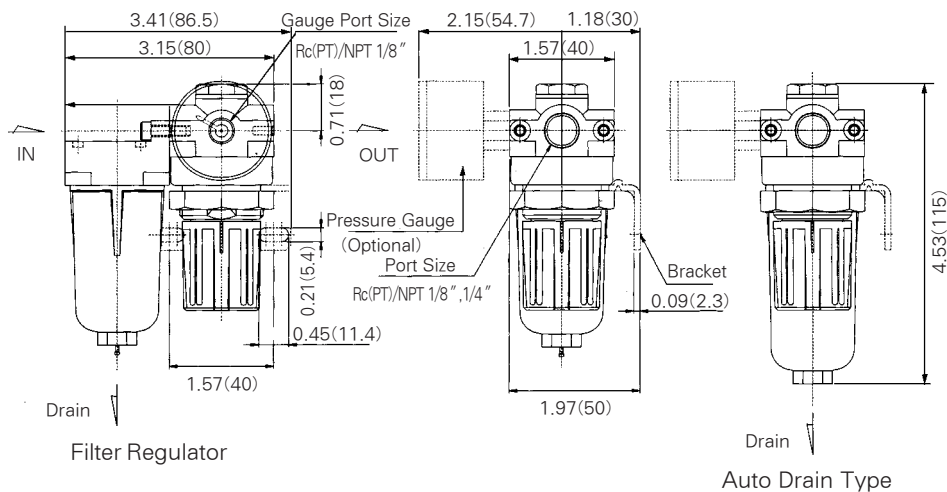
Symbol



Dimensions

inch(mm)

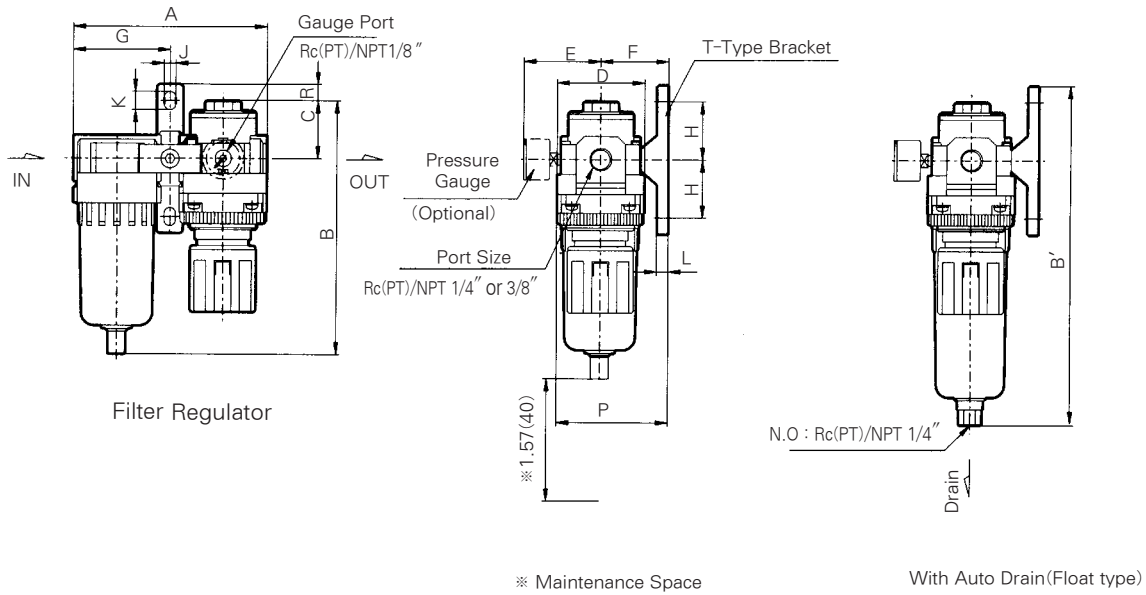
PC2020



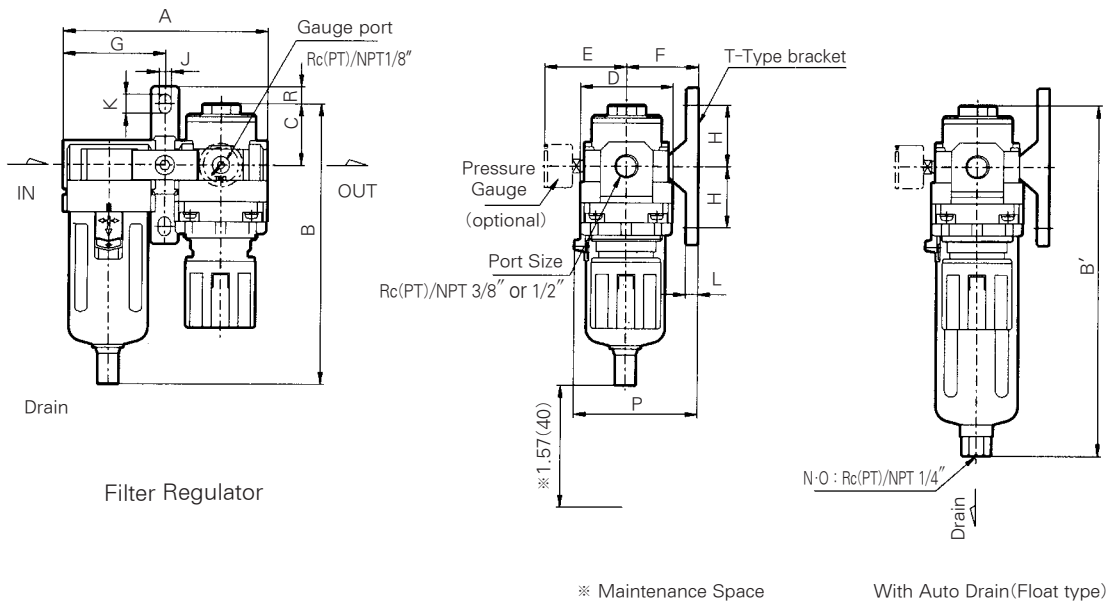
Dimensions

inch(mm)

PC3020



PC4020

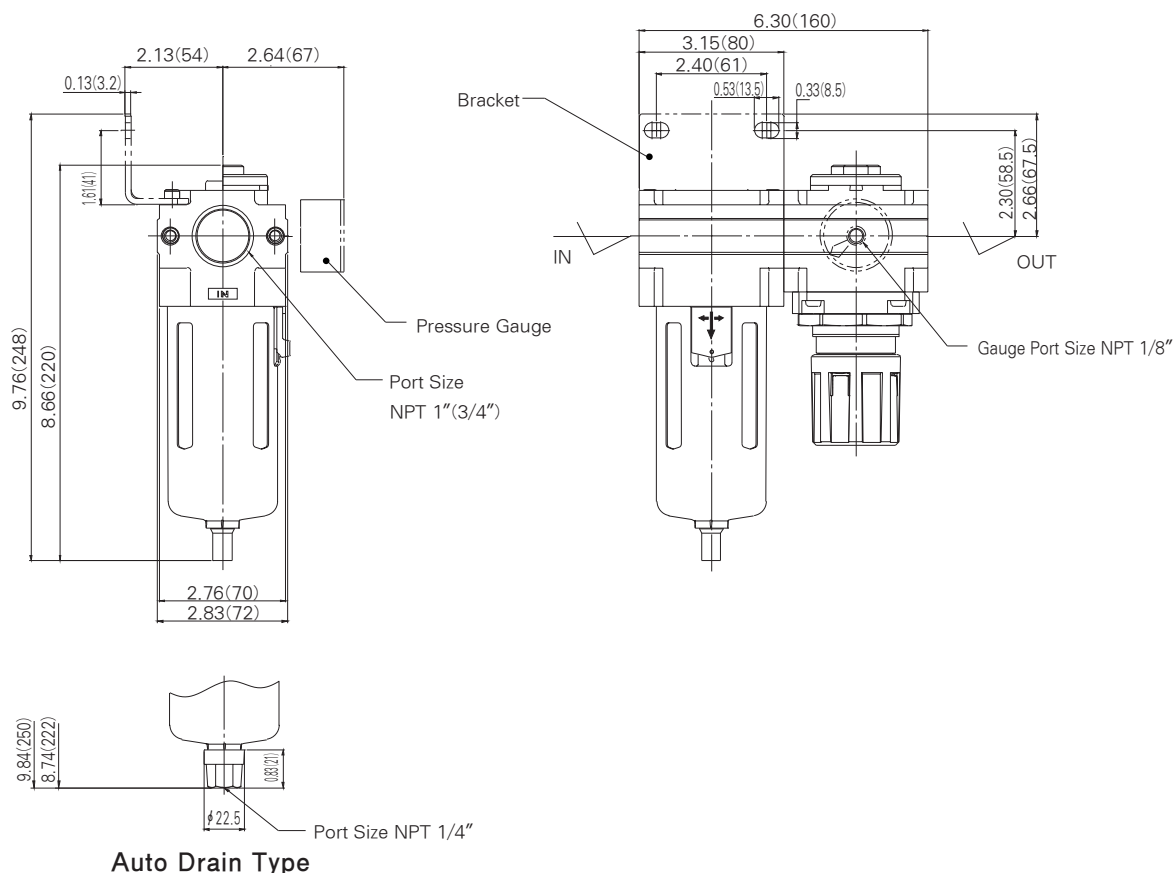


Model	Port Size (Rc(PT)/NPT)	A	B	C	D	E	F	G	H	J	K	L	P	R	inch(mm)	
															With Auto Drain Float type N·O	B'
PC3020	1/4" · 3/8"	4.60 (117)	6.16 (156.5)	1.38 (35)	2.09 (53)	2.62 (66.5)	1.61 (41)	2.30 (58.5)	1.38 (35)	0.28 (7)	0.43 (11)	0.28 (7)	2.66 (67.5)	0.40 (10)	7.00 (178)	
PC4020	3/8" · 1/2"	117 (154)	7.54 (191.5)	1.38 (37.5)	2.09 (70)	2.58 (65.5)	1.97 (50)	3.03 (77)	1.57 (40)	0.35 (9)	0.51 (13)	0.28 (7)	3.46 (88)	0.50 (12.5)	8.34 (212.5)	

Dimensions

inch(mm)

PC5020



PC

PF

 PFH
PFU

PR

PL

PW

SH

TDF

TAD

PER

EP

Precautions

Installation

- ① Flush piping before installation.
- ② The use of the piping adapters will make installation easier.
- ③ The regulator may be installed with the adjustment knob up or down.

Atmosphere

- ① Polycarbonate bowls may be damaged and possibly fail if exposed to synthetic oils, thinner solvents, trichlorethylene, kerosene or other aromatic hydrocarbons.

Auto Drain

Float type (Normally Open)(PC3000, 4000, 5000)

- ① Drain line should be 5/16 inch(8mm) or more and should be less than 16.5ft(5m)long. Be sure not to have any upward turns in the drain line which would prevent drainage.
 - ② Unsuitable for flow below 3.5 SCFM(100N l /min)
 - ③ Min. operating pressure is 15 PSI (1kgf/cm²)
 - ④ Soft nylon tube of more than 3/32 inch(ϕ 2.5)O.D, is recommended for drain pipe. The length should be less than 16 ft.(5m)long.
 - ⑤ Should be installed vertically.
- ※ Semi-Automatic Drain Type(PC2000)

Accessory(Optional)

Name		Part No.			
		PC2000	PC3000	PC4000	PC5000
Pressure gauge	1.05MPa	TAR4000-16-6001(PT)			
	150 PSI	PR4000-16-6001U(NPT)			
Auto drain	N·O	※PF2000	TAF3000	TAF4000-	PC5000-
		-01A-6039	-01A6008	01A-6009	01A-6071

 - Min. operating pressure:N·O 1kgf/cm²(15PSI)

※ Differential Pressure type