

# 70 Mpa WORKING PRESSURE

The wide range of UP-35 Series Power Packs has been designed for a large variety of applications and is capable of operating pressures upto 70Mpa.

All models are equipped with remote control and shoulder strap for easy handling and operation. The light weight and high performance make this Power Pack ideal for use :

- With hydraulic pullers, pipe benders, cable tools and jacks
- For the general industry, electric installations, construction industry, ship building, automotive servicing, material handling, laboratories and educational institutes.

## TECHNICAL SPECIFICATIONS

Model	Electric Motor (50/60Hz)				Electric Motor (50/60Hz)				Cap. Usable		Net Wt. With Oil (about)kg	Control Switch
	Type	Volt. (V) AC	Output KW (HP)	Revolution rpm	Max. pressure Mpa		Output < ℓ /min >		ℓ	ℓ		
					H. pressure	L. pressure	H. pressure	L. pressure				
UP-35RH UP-35RH-L	Commutator motor	230※	0.35 (1/3)	2000	70	1	0.2	2.0	1.0	0.8	7.2	Remote ON/OFF
								2.0	1.6			

※ Available with 110V motors.

### UP-35RH-NC (L)

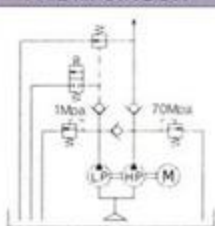


WEIGHT  
**7.5kg**  
(2.0 ℓ Tank 8.7kg)

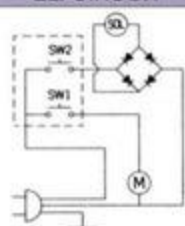
WITH SOLENOID VALVE-CAN BE STOPPED ON FORWARD ACTION

For single acting applications. Pressure hold type. Cylinder can be stopped on forward action. Cylinder cannot be stopped on retraction.

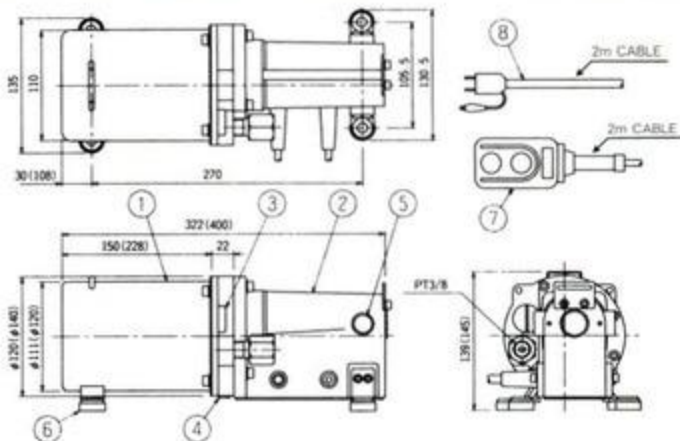
#### HYDR. CIRCUIT



#### EL. CIRCUIT



### DIMENSIONS



① OIL TANK	⑤ CARBON BRUSH
② MOTOR	⑥ SUPPORT LEGS
③ FILLING CAP	⑦ REMOT CONTROL
④ PUMP	⑧ EL. CABLE

## TYPICAL APPLICATIONS

Gear, pulley removal



Wire rope, cable cutting



Punching



Jacking up



**pasarpneumatichydraulic.com**

Indonesia 1<sup>st</sup> pneumatic and hydraulic product marketplace

Kompleks Golden Ville No. 88DB, Jl. Daan Mogot 2 - Duri Kepa

Jakarta Barat - INDONESIA 11510

Tel.: +62-8111924474 (Ms. Hasnah)

sales@pasarpneumatichydraulic.com